



# Halogen reflector lamps – proven reliability

## Halogen reflector

Philips' halogen reflector lamps offer the ideal no-fuss solution for a wide variety of medical, projection and scientific illumination systems. Their proven reliability makes them ideal for retrofit installations. The burners are precisely aligned for optimal light performance. Dichroic reflectors ensure heat dissipation towards the back of the optical system, which helps the optical system remain within temperature limits. A special blue-filter version blocking out unwanted light above 700 nm is available for dental curing applications. In addition, you get all the proven advantages of halogen technology such as a CRI of 100 – the same as natural sunlight for the best possible color rendering. Halogen lamps also create a comfortable warm white light, and they maintain their high lumen output with almost no lumen reduction throughout their lifetime.

### Benefits

- Optimal light performance
- Remains within temperature limits
- No re-alignment necessary when lamp is replaced

### Features

- Excellent distortion-free quartz bulb
- Dichroic coating ensures dissipation of approximately 75% of the generated heat backwards

**PHILIPS**

**Application**

- Medical endoscopy
- Industrial endoscopy
- Fiber optic illumination
- Dental curing

- Projection systems
- Microfiche
- Spectrography

## Related products



GZ6.35



GX5.3 faceted



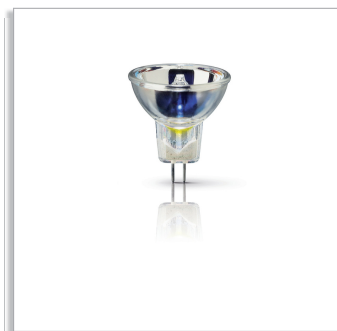
GX5.3 smooth



GY5.3



GZ6.35



G4/GZ4

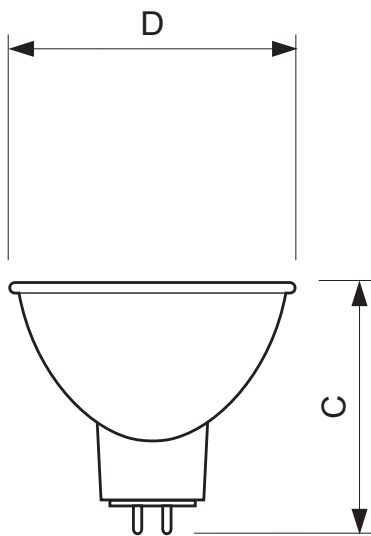


13865 G5.3

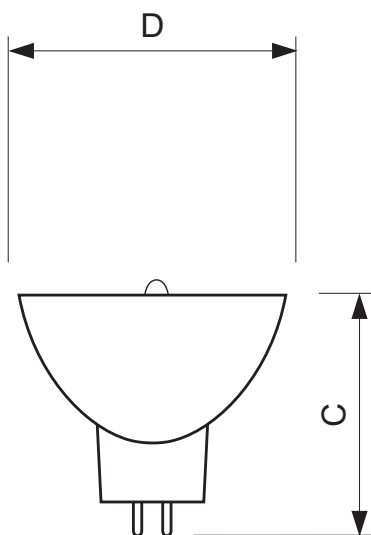


GX5.3 Stippled

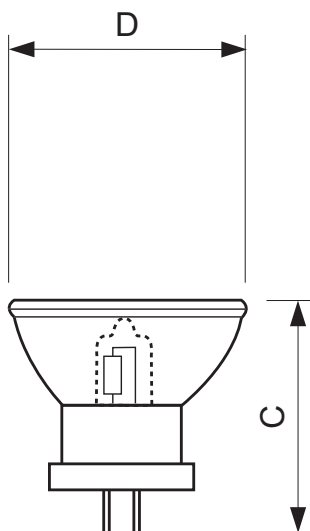
## Dimensional drawing

**13189 50W GX5.3 13.8V 1CT**

Product	C (Max)	D (Max)	L (Min)	L (Norm)	L (Max)
13189 50W GX5.3 13.8V	45	50	-	-	-
13117 150W GX5.3 17V	47	50	-	-	-
13163 250W GX5.3 24V	45	50	-	-	-
13096 ELH 300W GY5.3 120V	44.45	50.7	-	-	-
5995 EJM 150W GX5.3 21V	44.45	50.67	-	-	-
13158 150W GX5.3 21V	44.45	50.67	-	-	-
14501 150W GX5.3 20V	44.45	50.67	-	-	-
13095 250W GY5.3 120V	44.45	50.67	-	-	-
13629 150W GX5.3 21V	44.45	50.67	-	-	-
13631 250W GX5.3 24V	44.45	50.67	-	-	-
14527 150W GX5.3 21V	44.5	50.7	-	-	-
6423FO 150W GZ6.35 15V	42	50	-	-	-
6834FO 100W GZ6.35 12V	42	50	-	-	-
6853 FO 75W GZ6.35 12V	42	50	-	-	-
JCR 15V 150W 5H	43	49.7	-	-	-

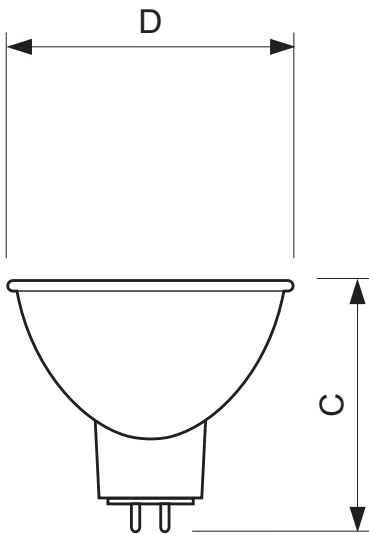
**13528 15W GZ4 6V 1CT**

Product	C (Max)	D (Max)	L (Min)	L (Norm)	L (Max)
13528 15W GZ4 6V	40	35	-	-	-
13165 35W GZ4 14V	42	35	-	-	-
13298 52W GZ4 10V	37	35	-	-	-
14552 75W GZ4 12V	41	25	-	-	-

**13865 75W G5.3/4.8 12V 1CT**

Product	C (Max)	D (Max)	L (Min)	L (Norm)	L (Max)
13865 75W G5.3/4.8 12V	37	25	-	-	-

## Dimensional drawing



## 13861 FO 42W GZ6.35 R50

Product	C (Max)	D (Max)
13861 FO 42W GZ6.35 12V	42	50

## General Characteristics (1/2)

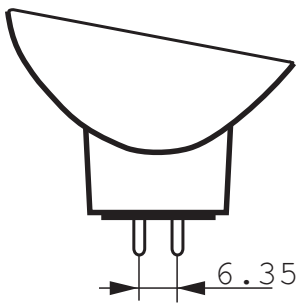
Product number	Full product name	Philips Code	ANSI Code	J Code	LIF Code	Cap-Base	Bulb	Bulb Material	Filament Shape	Operating Position	Main Application
258756	13861 FO 42W GZ6.35 12V 1CT	13861 FO	-	-	-	GZ6.35	R50	Quartz-UV Open	-	s90	Projection
315093	14501 150W GX5.3 20V	14501	DDL	-	-	GX5.3	R50	Quartz-UV Open	-	s105	Projection
231035	13631 250W GX5.3 24V 1CT	13631	ELC/FA	-	A1/259	GX5.3	-	Quartz-UV Open	-	s90	Projection
314963	13189 50W GX5.3 13.8V 1CT	13189	EPZ/DJT	-	-	GX5.3	R50	Quartz-UV Open	-	s105	Projection
376145	13117 150W GX5.3 17V 1CT	13117	-	-	-	GX5.3	R50	Quartz-UV Open	-	any	Projection
507095	13163 250W GX5.3 24V 1CT	13163	ELC	-	A1/259	GX5.3	R50	Quartz-UV Open	-	s105	Projection
239426	5995 EJM 150W GX5.3 21V 1CT	5995	EJM	-	-	GX5.3	-	Quartz-UV Open	-	s90	Projection
315929	13629 150W GX5.3 21V 1CT	13629	EKE	-	-	GX5.3	-	Quartz-UV Open	-	s90	Projection
441428	14527 150W GX5.3 21V 1CT	14527	EJA	-	-	GX5.3	R50	Quartz-UV Open	-	s90	Projection
316190	13096 ELH 300W GY5.3 120V 1CT	13096	ELH	-	-	GY5.3	-	Quartz-UV Open	-	s90	Projection
316216	13095 250W GY5.3 120V 1CT	13095	-	-	-	GY5.3	-	Quartz-UV Open	-	s90	Projection
314906	6423 150W GZ6.35 15V 1CT	6423	EFR	-	A1/232	GZ6.35	R50	Quartz-UV Open	-	s105	Projection
314880	6834 100W GZ6.35 12V 1CT	6834	EFP	-	A1/231	GZ6.35	R50	Quartz-UV Open	-	s90	Projection
315028	6853 75W GZ6.35 12V 1CT	6853	EFN	-	A1/230	GZ6.35	R50	Quartz-UV Open	-	s105	Projection
249235	JCR 150W 15V MR16	-	JCR	JCR 15V 150W 5H	-	GZ6.35	MR16	Quartz-UV Open	-	s90	Fiber optic illumination
315044	13528 15W GZ4 6V 1CT	13528	-	-	-	GZ4	R35	Quartz-UV Open	-	s105	Projection
442954	13165 35W GZ4 14V 1CT	13165	-	-	-	GZ4	R35	Quartz-UV Open	-	any	Dental Hardening
160945	13298 52W GZ4 10V 1CT	13298	-	-	-	GZ4	R35	Quartz-UV Open	-	s105	Dental Hardening
161109	14552 75W GZ4 12V 1CT	14552	-	-	-	GZ4	R35	Quartz-UV Open	-	s105	Dental Hardening
264234	13865 75W G5.3/4.8 12V 1CT	13865	-	-	-	G5.3	R35	Quartz-UV Open	-	s105	Dental Hardening
316182	13158 150W GX5.3 21V 1CT	13158	ELD/EJN	-	-	GX5.3	R50	Quartz-UV Open	-	s90	Projection

General Characteristics (2/2)

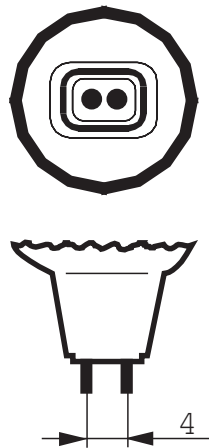
Product number	Full product name	Life to 50% failures
258756	13861 FO 42W GZ6.35 12V 1CT	4000 hr
315093	14501 150W GX5.3 20V	500 hr
231035	13631 250W GX5.3 24V 1CT	50 hr
314963	13189 50W GX5.3 13.8V 1CT	1000 hr
376145	13117 150W GX5.3 17V 1CT	1000 hr
507095	13163 250W GX5.3 24V 1CT	35 hr
239426	5995 EJM 150W GX5.3 21V 1CT	40 hr
315929	13629 150W GX5.3 21V 1CT	200 hr
441428	14527 150W GX5.3 21V 1CT	20 hr
316190	13096 ELH 300W GY5.3 120V 1CT	35 hr
316216	13095 250W GY5.3 120V 1CT	175 hr

Product number	Full product name	Life to 50% failures
314906	6423 150W GZ6.35 15V 1CT	50 hr
314880	6834 100W GZ6.35 12V 1CT	50 hr
315028	6853 75W GZ6.35 12V 1CT	50 hr
249235	JCR 150W 15V MR16	hr
315044	13528 15W GZ4 6V 1CT	750 hr
442954	13165 35W GZ4 14V 1CT	50 hr
160945	13298 52W GZ4 10V 1CT	25 hr
161109	14552 75W GZ4 12V 1CT	50 hr
264234	13865 75W G5.3/4.8 12V 1CT	50 hr
316182	13158 150W GX5.3 21V 1CT	40 hr

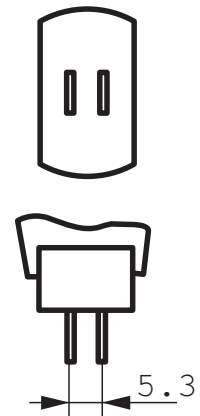
Installation diagrams



GX5.3



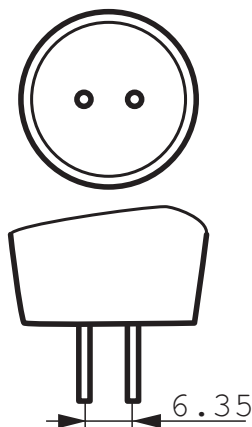
GZ4



GY5.3



G5.3

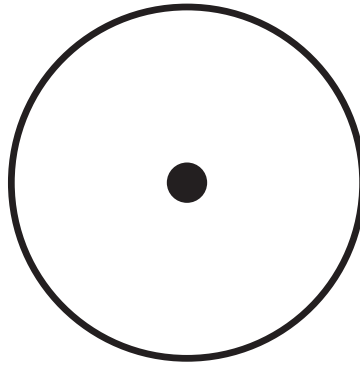


GZ6.35

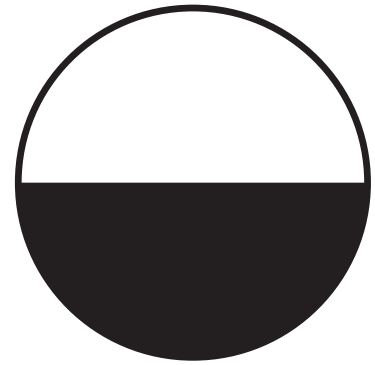
## Installation diagrams



s105



any



s90

## Light Technical Characteristics

Product number	Full product name	Color Rendering Index	Luminous Flux Lamp
258756	13861 FO 42W GZ6.35 12V 1CT	100 Ra8	-
315093	14501 150W GX5.3 20V	100 Ra8	400 Lm
231035	13631 250W GX5.3 24V 1CT	100 Ra8	1500 Lm
314963	13189 50W GX5.3 13.8V 1CT	100 Ra8	Lm
376145	13117 150W GX5.3 17V 1CT	100 Ra8	Lm
507095	13163 250W GX5.3 24V 1CT	100 Ra8	850 Lm
239426	5995 EJM 150W GX5.3 21V 1CT	100 Ra8	1200 Lm
315929	13629 150W GX5.3 21V 1CT	100 Ra8	900 Lm
441428	14527 150W GX5.3 21V 1CT	100 Ra8	Lm
316190	13096 ELH 300W GY5.3 120V 1CT	100 Ra8	850 Lm
316216	13095 250W GY5.3 120V 1CT	100 Ra8	800 Lm
314906	6423 150W GZ6.35 15V 1CT	100 Ra8	340 Lm
314880	6834 100W GZ6.35 12V 1CT	100 Ra8	Lm
315028	6853 75W GZ6.35 12V 1CT	100 Ra8	Lm
249235	JCR 150W 15V MR16	100 Ra8	Lm
315044	13528 15W GZ4 6V 1CT	100 Ra8	Lm
442954	13165 35W GZ4 14V 1CT	100 Ra8	Lm
160945	13298 52W GZ4 10V 1CT	100 Ra8	Lm
161109	14552 75W GZ4 12V 1CT	10 Ra8	Lm
264234	13865 75W G5.3/4.8 12V 1CT	100 Ra8	Lm
316182	13158 150W GX5.3 21V 1CT	100 Ra8	320 Lm

## Electrical Characteristics

Product number	Full product name	Watts	Voltage	Dimmable
258756	13861 FO 42W GZ6.35 12V 1CT	42 W	12 V	Yes
315093	14501 150W GX5.3 20V	150 W	20 V	Yes
231035	13631 250W GX5.3 24V 1CT	250 W	24 V	Yes
314963	13189 50W GX5.3 13.8V 1CT	50 W	13.8 V	Yes
376145	13117 150W GX5.3 17V 1CT	150 W	17 V	Yes
507095	13163 250W GX5.3 24V 1CT	250 W	24 V	Yes
239426	5995 EJM 150W GX5.3 21V 1CT	150 W	21 V	Yes
315929	13629 150W GX5.3 21V 1CT	150 W	21 V	Yes
441428	14527 150W GX5.3 21V 1CT	150 W	21 V	Yes
316190	13096 ELH 300W GY5.3 120V 1CT	300 W	120 V	Yes
316216	13095 250W GY5.3 120V 1CT	250 W	120 V	Yes
314906	6423 150W GZ6.35 15V 1CT	150 W	15 V	Yes
314880	6834 100W GZ6.35 12V 1CT	100 W	12 V	Yes
315028	6853 75W GZ6.35 12V 1CT	75 W	12 V	Yes
249235	JCR 150W 15V MR16	150 W	15 V	Yes
315044	13528 15W GZ4 6V 1CT	15 W	6 V	Yes
442954	13165 35W GZ4 14V 1CT	35 W	14 V	Yes
160945	13298 52W GZ4 10V 1CT	52 W	10 V	Yes
161109	14552 75W GZ4 12V 1CT	75 W	12 V	Yes
264234	13865 75W G5.3/4.8 12V 1CT	75 W	12 V	Yes
316182	13158 150W GX5.3 21V 1CT	150 W	21 V	Yes



© 2013 Koninklijke Philips N.V. (Royal Philips)  
All rights reserved.

Specifications are subject to change without notice. Trademarks are the property of Koninklijke Philips N.V. (Royal Philips) or their respective owners.

[www.philips.com/lighting](http://www.philips.com/lighting)

2013, November 21  
data subject to change